

# Nakrętki klatkowe

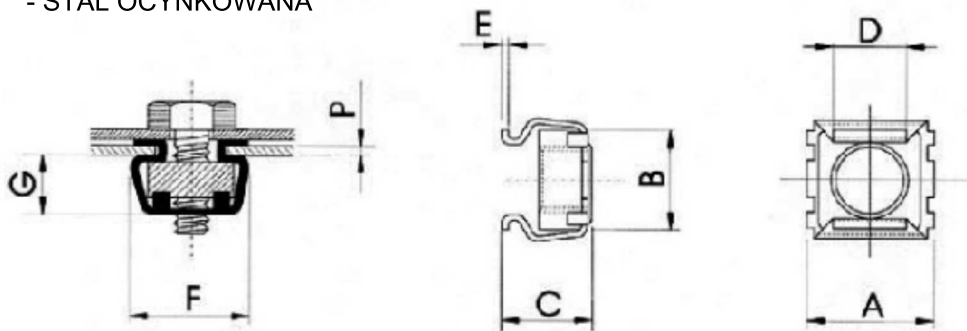


## NAKRĘTKA KLATKOWA

Materiał :

NAKRĘTKA - STAL OCYNKOWANA

KLATKA - STAL OCYNKOWANA



Ø	Zakres łączenia	A	B	C	D	E	F	G	Otwór montażowy	Numer katalogowy
		+0.6 -0.0	±0.5	±0.3	±0.2		±0.3	±0.1		
M3	0.3 - 0.9	9.8	9.3	5.4	4.8	0.30	9.8	3.7	5.3 × 5.3	GDZNM0305309
	1.0 - 1.6	9.8	9.3	6.1	4.8	0.30	9.8	3.7		GDZNM0305316
	1.7 - 2.3	9.8	9.3	6.8	4.8	0.30	9.8	3.7		GDZNM0305323
	2.4 - 3.1	9.8	9.3	7.6	4.8	0.30	9.8	3.7		GDZNM0305331
	0.7 - 1.6	10.5	10.5	7.2	5.8	0.45	10.5	5.0	6.7 × 6.7	GDZNM0306716
	1.7 - 2.6	10.5	10.5	8.2	5.8	0.45	10.5	5.0		GDZNM0306726
M4	0.3 - 0.9	9.8	9.3	5.4	4.8	0.30	9.8	3.7	5.3 × 5.3	GDZNM0405309
	1.0 - 1.6	9.8	9.3	6.1	4.8	0.30	9.8	3.7		GDZNM0405316
	1.7 - 2.3	9.8	9.3	6.8	4.8	0.30	9.8	3.7		GDZNM0405323
	2.4 - 3.1	9.8	9.3	7.6	4.8	0.30	9.8	3.7		GDZNM0405331
	0.7 - 1.6	10.5	10.5	7.2	5.8	0.45	10.5	5.0	6.7 × 6.7	GDZNM0406716
	1.7 - 2.6	10.5	10.5	8.2	5.8	0.45	10.5	5.0		GDZNM0406726
	0.3 - 1.1	12.2	12.0	7.5	7.2	0.45	12.5	6.0	8.3 × 8.3	GDZNM0408311
	0.7 - 1.6	12.2	12.0	8.3	7.2	0.45	12.5	6.0		GDZNM0408316
	1.7 - 2.5	12.2	12.0	9.1	7.2	0.45	12.5	6.0		GDZNM0408325
	2.6 - 3.5	12.2	12.0	10.1	7.2	0.45	12.5	6.0		GDZNM0408335
	3.6 - 4.5	12.2	12.0	11.0	7.2	0.45	12.5	6.0		GDZNM0408345
	0.7 - 1.6	13.2	12.8	8.3	7.7	0.45	13.3	6.0	9.5 × 9.5	GDZNM0409516
	1.7 - 2.6	13.2	12.8	9.5	7.7	0.45	13.3	6.0		GDZNM0409526
2.7 - 3.5	13.2	12.8	10.2	7.7	0.45	13.3	6.0	GDZNM0409535		

## PROFESJONALNE ROZWIĄZANIA

Ø	Zakres łączenia	A	B	C	D	E	F	G	Otwór montażowy	Numer katalogowy
		+ 0.6 - 0.0	± 0.5	± 0.3	± 0.2		± 0.3	± 0.1		
<b>M4</b>	0.7 - 1.6	13.3	13.3	8.5	6.5	0.50	13.5	6.5	9.0 × 9.0	GDZNM0409016
	1.7 - 2.6	13.3	13.3	9.6	6.5	0.50	13.5	6.5		GDZNM0409026
	2.7 - 3.5	13.3	13.3	10.2	6.5	0.50	13.5	6.5		GDZNM0409035
<b>M5</b>	0.3 - 0.9	9.8	9.3	5.4	4.8	0.30	9.8	3.7	5.3 × 5.3	GDZNM0505309
	1.0 - 1.6	9.8	9.3	6.1	4.8	0.30	9.8	3.7		GDZNM0505316
	1.7 - 2.3	9.8	9.3	6.8	4.8	0.30	9.8	3.7		GDZNM0505323
	2.4 - 3.1	9.8	9.3	7.6	4.8	0.30	9.8	3.7		GDZNM0505331
	0.7 - 1.6	10.5	10.5	7.2	5.8	0.45	10.5	5.0	6.7 × 6.7	GDZNM0506716
	1.7 - 2.6	10.5	10.5	8.2	5.8	0.45	10.5	5.0		GDZNM0506726
	0.3 - 1.1	12.2	12.0	7.5	7.2	0.45	12.5	6.0	8.3 × 8.3	GDZNM0508311
	0.7 - 1.6	12.2	12.0	8.3	7.2	0.45	12.5	6.0		GDZNM0508316
	1.7 - 2.5	12.2	12.0	9.1	7.2	0.45	12.5	6.0		GDZNM0508325
	2.6 - 3.5	12.2	12.0	10.1	7.2	0.45	12.5	6.0		GDZNM0508335
	3.6 - 4.5	12.2	12.0	11.0	7.2	0.45	12.5	6.0		GDZNM0508345
	0.7 - 1.6	13.2	12.8	8.3	7.7	0.45	13.3	6.0	9.5 × 9.5	GDZNM0509516
	1.7 - 2.6	13.2	12.8	9.5	7.7	0.45	13.3	6.0		GDZNM0509526
	2.7 - 3.5	13.2	12.8	10.2	7.7	0.45	13.3	6.0		GDZNM0509535
	0.7 - 1.6	13.3	13.3	8.5	6.5	0.50	13.5	6.5	9.0 × 9.0	GDZNM0509016
	1.7 - 2.6	13.3	13.3	9.6	6.5	0.50	13.5	6.5		GDZNM0509026
	2.7 - 3.5	13.3	13.3	10.2	6.5	0.50	13.5	6.5		GDZNM0509035
	<b>M6</b>	0.3 - 1.1	12.2	12.0	7.5	7.2	0.45	12.5	6.0	8.3 × 8.3
0.7 - 1.6		12.2	12.0	8.3	7.2	0.45	12.5	6.0	GDZNM0608316	
1.7 - 2.5		12.2	12.0	9.1	7.2	0.45	12.5	6.0	GDZNM0608325	
2.6 - 3.5		12.2	12.0	10.1	7.2	0.45	12.5	6.0	GDZNM0608335	
3.6 - 4.5		12.2	12.0	11.0	7.2	0.45	12.5	6.0	GDZNM0608345	
0.7 - 1.6		13.2	12.8	8.3	7.7	0.45	13.3	6.0	9.5 × 9.5	GDZNM0609516
1.7 - 2.6		13.2	12.8	9.5	7.7	0.45	13.3	6.0		GDZNM0609526
2.7 - 3.5		13.2	12.8	10.2	7.7	0.45	13.3	6.0		GDZNM0609535
0.7 - 1.6		13.3	13.3	8.5	6.5	0.50	13.5	6.5	9.0 × 9.0	GDZNM0609016
1.7 - 2.6		13.3	13.3	9.6	6.5	0.50	13.5	6.5		GDZNM0609026
2.7 - 3.5		13.3	13.3	10.2	6.5	0.50	13.5	6.5		GDZNM0609035
1.2 - 2.2		15.0	11.3	9.7	9.5	0.50	15.0	6.0	10.0 × 10.0	GDZNM0610022
0.7 - 1.7		16.5	16.0	10.4	7.5	0.60	17.5	7.6	12.3 × 12.3	GDZNM0612317
1.8 - 3.1		16.5	16.0	12.0	7.5	0.60	17.5	7.6		GDZNM0612331
3.2 - 4.3		16.5	16.0	13.0	7.5	0.60	17.5	7.6		GDZNM0612343
0.7 - 1.7	16.6	16.4	9.7	8.5	0.50	16.6	7.2	GDZNM0612317X		
1.8 - 3.2	16.6	16.4	11.4	8.5	0.50	16.6	7.2	GDZNM0612332		
3.3 - 4.7	16.6	16.4	12.8	8.5	0.50	16.6	7.2	GDZNM0612347		
4.8 - 6.2	16.6	16.4	14.0	8.5	0.50	16.6	7.2	GDZNM0612362		

## PROFESJONALNE ROZWIĄZANIA

Ø	Zakres łączenia	A	B	C	D	E	F	G	Otwór montażowy	Numer katalogowy
		+ 0.6 - 0.0	± 0.5	± 0.3	± 0.2		± 0.3	± 0.1		
<b>M8</b>	0.7 - 1.7	16.5	16.0	10.4	7.5	0.60	17.5	7.6	12.3 × 12.3	GDZNM0812317
	1.8 - 3.1	16.5	16.0	12.0	7.5	0.60	17.5	7.6		GDZNM0812331
	3.2 - 4.3	16.5	16.0	13.0	7.5	0.60	17.5	7.6		GDZNM0812343
	0.7 - 1.7	16.6	16.4	9.7	8.5	0.50	16.6	7.2		GDZNM0812317X
	1.8 - 3.2	16.6	16.4	11.4	8.5	0.50	16.6	7.2		GDZNM0812332
	3.3 - 4.7	16.6	16.4	12.8	8.5	0.50	16.6	7.2		GDZNM0812347
	4.8 - 6.2	16.6	16.4	14.0	8.5	0.50	16.6	7.2	GDZNM0812362	
	0.7 - 1.7	20.0	19.4	13.5	12.6	0.60	20.5	10.4	14.0 × 14.0	GDZNM0814017
	1.8 - 3.2	20.0	19.4	15.0	12.6	0.60	20.5	10.4		GDZNM0814032
	3.3 - 4.7	20.0	19.4	16.5	12.6	0.60	20.5	10.4		GDZNM0814047
	4.8 - 6.2	20.0	19.4	18.0	12.6	0.60	20.5	10.4		GDZNM0814062
	<b>M10</b>	0.7 - 1.7	16.5	16.0	10.4	7.5	0.6	17.5	7.6	12.3 × 12.3
1.8 - 3.1		16.5	16.0	12.0	7.5	0.6	17.5	7.6	GDZNM1012331	
3.2 - 4.3		16.5	16.0	13.0	7.5	0.6	17.5	7.6	GDZNM0812343	
1.0 - 1.7		16.6	16.4	9.7	8.5	0.5	16.6	7.2	GDZNM1012317X	
1.8 - 3.2		16.6	16.4	11.4	8.5	0.5	16.6	7.2	GDZNM1012332	
3.3 - 4.7		16.6	16.4	12.8	8.5	0.5	16.6	7.2	GDZNM1012347	
4.8 - 6.2		16.6	16.4	14.0	8.5	0.5	16.6	7.2	GDZNM1012362	
0.7 - 1.7		20.0	19.4	13.5	12.6	0.6	20.5	10.4	14.0 × 14.0	GDZNM1014017
1.8 - 3.2		20.0	19.4	15.0	12.6	0.6	20.5	10.4		GDZNM1014032
3.3 - 4.7		20.0	19.4	16.5	12.6	0.6	20.5	10.4		GDZNM1014047
4.8 - 6.2		20.0	19.4	18.0	12.6	0.6	20.5	10.4		GDZNM1014062
<b>M12</b>		0.7 - 1.7	20.0	19.4	13.5	12.6	0.6	20.5	10.4	14.0 × 14.0
	1.8 - 3.2	20.0	19.4	15.0	12.6	0.6	20.5	10.4	GDZNM1214032	
	3.3 - 4.7	20.0	19.4	16.5	12.6	0.6	20.5	10.4	GDZNM1214047	
	4.8 - 6.2	20.0	19.4	18.0	12.6	0.6	20.5	10.4	GDZNM1214062	

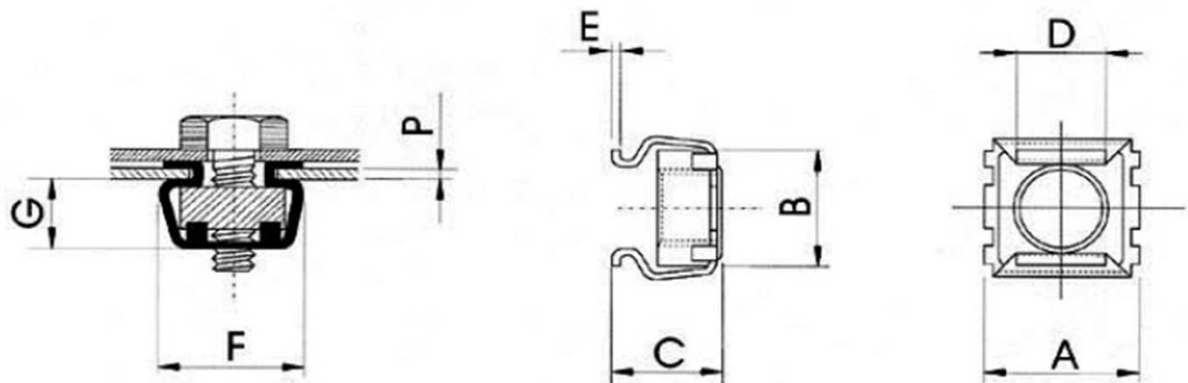
Posiadamy w ofercie nakrętki klatkowe o niestandardowych wymiarach oraz kształcie.

## NAKRĘTKA KLATKOWA

Materiał :

NAKRĘTKA - STAL OCYNKOWANA

KLATKA - STAL NIERDZEWNA



Ø	Zakres łączenia	A	B	C	D	E	F	G	Otwór montażowy	Numer katalogowy
		+ 0.6 - 0.0	± 0.5	± 0.3	± 0.3		± 0.3	± 0.1		
M3	0.3 - 0.9	9.8	9.3	5.4	4.8	0.30	9.8	3.7	5.3 × 5.3	GDAZM0305309
	1.0 - 1.6	9.8	9.3	6.1	4.8	0.30	9.8	3.7		GDAZM0305316
	1.7 - 2.3	9.8	9.3	6.8	4.8	0.30	9.8	3.7		GDAZM0305323
	2.4 - 3.1	9.8	9.3	7.6	4.8	0.30	9.8	3.7		GDAZM0305331
	0.7 - 1.6	10.5	10.0	7.2	5.8	0.45	10.5	5.0	6.7 × 6.7	GDAZM0306716
	1.7 - 2.6	10.5	10.0	8.2	5.8	0.45	10.5	5.0		GDAZM0306726
M4	0.3 - 0.9	9.8	9.3	5.4	4.8	0.30	9.8	3.7	5.3 × 5.3	GDAZM0405309
	1.0 - 1.6	9.8	9.3	6.1	4.8	0.30	9.8	3.7		GDAZM0405316
	1.7 - 2.3	9.8	9.3	6.8	4.8	0.30	9.8	3.7		GDAZM0405323
	2.4 - 3.1	9.8	9.3	7.6	4.8	0.30	9.8	3.7		GDAZM0405331
	0.7 - 1.6	10.5	10.0	7.2	5.8	0.45	10.5	5.0	6.7 × 6.7	GDAZM0406716
	1.7 - 2.6	10.5	10.0	8.2	5.8	0.45	10.5	5.0		GDAZM0406726
	0.3 - 1.1	12.2	12.0	7.5	7.2	0.45	12.5	6.0	8.3 × 8.3	GDAZM0408311
	1.2 - 1.6	12.2	12.0	8.3	7.2	0.45	12.5	6.0		GDAZM0408316
	1.7 - 2.5	12.2	12.0	9.1	7.2	0.45	12.5	6.0		GDAZM0408325
	2.6 - 3.5	12.2	12.0	10.1	7.2	0.45	12.5	6.0		GDAZM0408335
	3.6 - 4.5	12.2	12.0	11.0	7.2	0.45	12.5	6.0		GDAZM0408345
	0.7 - 1.6	13.2	12.8	8.3	7.7	0.45	13.5	6.2	9.5 × 9.5	GDAZM0409516
	1.7 - 2.6	13.2	12.8	9.5	7.7	0.45	13.5	6.2		GDAZM0409526
	2.7 - 3.5	13.2	12.8	10.2	7.7	0.45	13.5	6.2		GDAZM0409535

## PROFESJONALNE ROZWIĄZANIA

Ø	Zakres łączenia	A	B	C	D	E	F	G	Otwór montażowy	Numer katalogowy
		+ 0.6 - 0.0	± 0.5	± 0.3	± 0.2		± 0.3	± 0.1		
<b>M5</b>	0.3 - 0.9	9.8	9.3	5.4	4.8	0.30	9.8	3.7	5.3 × 5.3	GDAZM0505309
	1.0 - 1.6	9.8	9.3	6.1	4.8	0.30	9.8	3.7		GDAZM0505316
	1.7 - 2.3	9.8	9.3	6.8	4.8	0.30	9.8	3.7		GDAZM0505323
	2.4 - 3.1	9.8	9.3	7.6	4.8	0.30	9.8	3.7		GDAZM0505331
	0.7 - 1.6	10.5	10.0	7.2	5.8	0.45	10.5	5.0	6.7 × 6.7	GDAZM0506716
	1.7 - 2.6	10.5	10.0	8.2	5.8	0.45	10.5	5.0		GDAZM0506726
	0.3 - 1.1	12.2	12.0	7.5	7.2	0.45	12.5	6.0	8.3 × 8.3	GDAZM0508311
	1.2 - 1.6	12.2	12.0	8.3	7.2	0.45	12.5	6.0		GDAZM0508316
	1.7 - 2.5	12.2	12.0	9.1	7.2	0.45	12.5	6.0		GDAZM0508325
	2.6 - 3.5	12.2	12.0	10.1	7.2	0.45	12.5	6.0		GDAZM0508335
	3.6 - 4.5	12.2	12.0	11.0	7.2	0.45	12.5	6.0	GDAZM0508345	
	0.7 - 1.6	13.2	12.8	8.3	7.7	0.45	13.5	6.2	9.5 × 9.5	GDAZM0509516
1.7 - 2.6	13.2	12.8	9.5	7.7	0.45	13.5	6.2	GDAZM0509526		
2.7 - 3.5	13.2	12.8	10.2	7.7	0.45	13.5	6.2	GDAZM0509535		
<b>M6</b>	0.3 - 1.1	12.2	12.0	7.5	7.2	0.45	12.5	6.0	8.3 × 8.3	GDAZM0608311
	1.2 - 1.6	12.2	12.0	8.3	7.2	0.45	12.5	6.0		GDAZM0608316
	1.7 - 2.5	12.2	12.0	9.1	7.2	0.45	12.5	6.0		GDAZM0608325
	2.6 - 3.5	12.2	12.0	10.1	7.2	0.45	12.5	6.0		GDAZM0608335
	3.6 - 4.5	12.2	12.0	11.0	7.2	0.45	12.5	6.0		GDAZM0608345
	0.7 - 1.6	13.2	12.8	8.3	7.7	0.45	13.5	6.2	9.5 × 9.5	GDAZM0609516
	1.7 - 2.6	13.2	12.8	9.5	7.7	0.45	13.5	6.2		GDAZM0609526
	2.7 - 3.5	13.2	12.8	10.2	7.7	0.45	13.5	6.2		GDAZM0609535
	1.0 - 1.7	16.6	16.4	9.7	8.5	0.50	16.6	7.2	12.3 × 12.3	GDAZM0612317
	1.8 - 3.2	16.6	16.4	11.4	8.5	0.50	16.6	7.2		GDAZM0612332
	3.3 - 4.7	16.6	16.4	12.8	8.5	0.50	16.6	7.2		GDAZM0612347
	4.8 - 6.2	16.6	16.4	14.0	8.5	0.50	16.6	7.2		GDAZM0612362
<b>M8</b>	1.0 - 1.7	16.6	16.4	9.7	8.5	0.50	16.6	7.2	12.3 × 12.3	GDAZM0812317
	1.8 - 3.2	16.6	16.4	11.4	8.5	0.50	16.6	7.2		GDAZM0812332
	3.3 - 4.7	16.6	16.4	12.8	8.5	0.50	16.6	7.2		GDAZM0812347
	4.8 - 6.2	16.6	16.4	14.0	8.5	0.50	16.6	7.2		GDAZM0812362
	1.0 - 1.7	20.0	19.4	13.5	12.6	0.60	20.5	10.4	14.0 × 14.0	GDAZM0814017
	1.8 - 3.2	20.0	19.4	15.0	12.6	0.60	20.5	10.4		GDAZM0814032
	3.3 - 4.7	20.0	19.4	16.5	12.6	0.60	20.5	10.4		GDAZM0814047
	4.8 - 6.2	20.0	19.4	18.0	12.6	0.60	20.5	10.4		GDAZM0814062

Ø	Zakres łąčenja	A	B	C	D	E	F	G	Otwór montażowy	Numer katalogowy
		+ 0.6 - 0.0	± 0.5	± 0.3	± 0.2		± 0.3	± 0.1		
<b>M10</b>	1.0 - 1.7	16.6	16.4	9.7	8.5	0.5	16.6	7.2	12.3 × 12.3	GDAZM1012317
	1.8 - 3.2	16.6	16.4	11.4	8.5	0.5	16.6	7.2		GDAZM1012332
	3.3 - 4.7	16.6	16.4	12.8	8.5	0.5	16.6	7.2		GDAZM1012347
	4.8 - 6.2	16.6	16.4	14.0	8.5	0.5	16.6	7.2		GDAZM1012362
	1.0 - 1.7	20.0	19.4	13.5	12.6	0.6	20.5	10.4	14.0 × 14.0	GDAZM1014017
	1.8 - 3.2	20.0	19.4	15.0	12.6	0.6	20.5	10.4		GDAZM1014032
	3.3 - 4.7	20.0	19.4	16.5	12.6	0.6	20.5	10.4		GDAZM1014047
	4.8 - 6.2	20.0	19.4	18.0	12.6	0.6	20.5	10.4		GDAZM1014062
<b>M12</b>	1.0 - 1.7	20.0	19.4	13.5	12.6	0.6	20.5	10.4	14.0 × 14.0	GDAZM1214017
	1.8 - 3.2	20.0	19.4	15.0	12.6	0.6	20.5	10.4		GDAZM1214032
	3.3 - 4.7	20.0	19.4	16.5	12.6	0.6	20.5	10.4		GDAZM1214047
	4.8 - 6.2	20.0	19.4	18.0	12.6	0.6	20.5	10.4		GDAZM1214062

Posiadamy w ofercie nakrętki klatkowe o niestandardowych wymiarach oraz kształcie.

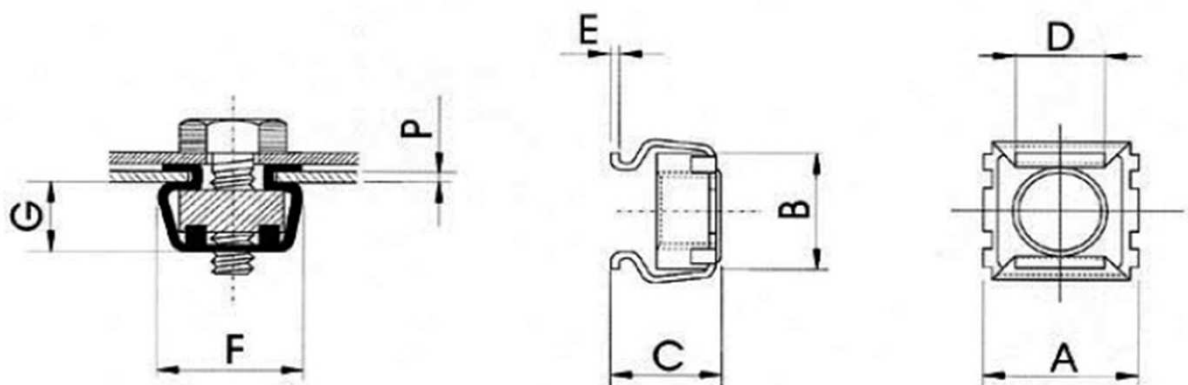


## NAKRĘTKA KLATKOWA

Materiał :

NAKRĘTKA - STAL NIERDZEWNA

KLATKA - STAL NIERDZEWNA



Ø	Zakres łączenia	A	B	C	D	E	F	G	Otwór montażowy	Numer katalogowy
		+ 0.6 - 0.0	± 0.5	± 0.3	± 0.3		± 0.3	± 0.1		
<b>M3</b>	0.3 - 0.9	9.8	9.3	5.4	4.8	0.30	9.8	3.7	5.3 × 5.3	GDAAM0305309
	1.0 - 1.6	9.8	9.3	6.1	4.8	0.30	9.8	3.7		GDAAM0305316
	1.7 - 2.3	9.8	9.3	6.8	4.8	0.30	9.8	3.7		GDAAM0305323
	2.4 - 3.1	9.8	9.3	7.6	4.8	0.30	9.8	3.7		GDAAM0305331
	0.7 - 1.6	10.5	10.0	7.2	5.8	0.45	10.5	5.0	6.7 × 6.7	GDAAM0306716
	1.7 - 2.6	10.5	10.0	8.2	5.8	0.45	10.5	5.0		GDAAM0306726
<b>M4</b>	0.3 - 0.9	9.8	9.3	5.4	4.8	0.30	9.8	3.7	5.3 × 5.3	GDAAM0405309
	1.0 - 1.6	9.8	9.3	6.1	4.8	0.30	9.8	3.7		GDAAM0405316
	1.7 - 2.3	9.8	9.3	6.8	4.8	0.30	9.8	3.7		GDAAM0405323
	2.4 - 3.1	9.8	9.3	7.6	4.8	0.30	9.8	3.7		GDAAM0405331
	0.7 - 1.6	10.5	10.0	7.2	5.8	0.45	10.5	5.0	6.7 × 6.7	GDAAM0406716
	1.7 - 2.6	10.5	10.0	8.2	5.8	0.45	10.5	5.0		GDAAM0406726
	0.3 - 1.1	12.2	12.0	7.5	7.2	0.45	12.5	6.0	8.3 × 8.3	GDAAM0408311
	1.2 - 1.6	12.2	12.0	8.3	7.2	0.45	12.5	6.0		GDAAM0408316
	1.7 - 2.5	12.2	12.0	9.1	7.2	0.45	12.5	6.0		GDAAM0408325
	2.6 - 3.5	12.2	12.0	10.1	7.2	0.45	12.5	6.0		GDAAM0408335
	3.6 - 4.5	12.2	12.0	11.0	7.2	0.45	12.5	6.0		GDAAM0408345
	0.7 - 1.6	13.2	12.8	8.3	7.7	0.45	13.5	6.2		9.5 × 9.5
	1.7 - 2.6	13.2	12.8	9.5	7.7	0.45	13.5	6.2	GDAAM0409526	
	2.7 - 3.5	13.2	12.8	10.2	7.7	0.45	13.5	6.2	GDAAM0409535	



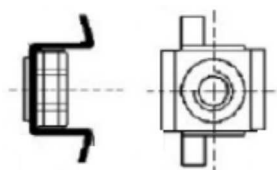
## PROFESJONALNE ROZWIĄZANIA

Ø	Zakres łączenia	A	B	C	D	E	F	G	Otwór montażowy	Numer katalogowy
		+ 0.6 - 0.0	± 0.5	± 0.3	± 0.2		± 0.3	± 0.1		
<b>M5</b>	0.3 - 0.9	9.8	9.3	5.4	4.8	0.30	9.8	3.7	5.3 × 5.3	GDAAM0505309
	1.0 - 1.6	9.8	9.3	6.1	4.8	0.30	9.8	3.7		GDAAM0505316
	1.7 - 2.3	9.8	9.3	6.8	4.8	0.30	9.8	3.7		GDAAM0505323
	2.4 - 3.1	9.8	9.3	7.6	4.8	0.30	9.8	3.7		GDAAM0505331
	0.7 - 1.6	10.5	10.0	7.2	5.8	0.45	10.5	5.0	6.7 × 6.7	GDAAM0506716
	1.7 - 2.6	10.5	10.0	8.2	5.8	0.45	10.5	5.0		GDAAM0506726
	0.3 - 1.1	12.2	12.0	7.5	7.2	0.45	12.5	6.0	8.3 × 8.3	GDAAM0508311
	1.2 - 1.6	12.2	12.0	8.3	7.2	0.45	12.5	6.0		GDAAM0508316
	1.7 - 2.5	12.2	12.0	9.1	7.2	0.45	12.5	6.0		GDAAM0508325
	2.6 - 3.5	12.2	12.0	10.1	7.2	0.45	12.5	6.0		GDAAM0508335
	3.6 - 4.5	12.2	12.0	11.0	7.2	0.45	12.5	6.0		GDAAM0508345
	0.7 - 1.6	13.2	12.8	8.3	7.7	0.45	13.5	6.2	9.5 × 9.5	GDAAM0509516
	1.7 - 2.6	13.2	12.8	9.5	7.7	0.45	13.5	6.2		GDAAM0509526
	2.7 - 3.5	13.2	12.8	10.2	7.7	0.45	13.5	6.2		GDAAM0509535
<b>M6</b>	0.3 - 1.1	12.2	12.0	7.5	7.2	0.45	12.5	6.0	8.3 × 8.3	GDAAM0608311
	1.2 - 1.6	12.2	12.0	8.3	7.2	0.45	12.5	6.0		GDAAM0608316
	1.7 - 2.5	12.2	12.0	9.1	7.2	0.45	12.5	6.0		GDAAM0608325
	2.6 - 3.5	12.2	12.0	10.1	7.2	0.45	12.5	6.0		GDAAM0608335
	3.6 - 4.5	12.2	12.0	11.0	7.2	0.45	12.5	6.0		GDAAM0608345
	0.7 - 1.6	13.2	12.8	8.3	7.7	0.45	13.5	6.2	9.5 × 9.5	GDAAM0609516
	1.7 - 2.6	13.2	12.8	9.5	7.7	0.45	13.5	6.2		GDAAM0609526
	2.7 - 3.5	13.2	12.8	10.2	7.7	0.45	13.5	6.2		GDAAM0609535
	1.0 - 1.7	16.6	16.4	9.7	8.5	0.50	16.6	7.2	12.3 × 12.3	GDAAM0612317
	1.8 - 3.2	16.6	16.4	11.4	8.5	0.50	16.6	7.2		GDAAM0612332
	3.3 - 4.7	16.6	16.4	12.8	8.5	0.50	16.6	7.2		GDAAM0612347
	4.8 - 6.2	16.6	16.4	14.0	8.5	0.50	16.6	7.2		GDAAM0612362
	<b>M8</b>	1.0 - 1.7	16.6	16.4	9.7	8.5	0.50	16.6	7.2	12.3 × 12.3
1.8 - 3.2		16.6	16.4	11.4	8.5	0.50	16.6	7.2	GDAAM0812332	
3.3 - 4.7		16.6	16.4	12.8	8.5	0.50	16.6	7.2	GDAAM0812347	
4.8 - 6.2		16.6	16.4	14.0	8.5	0.50	16.6	7.2	GDAAM0812362	
1.0 - 1.7		20.0	19.4	13.5	12.6	0.60	20.5	10.4	14.0 × 14.0	GDAAM0814017
1.8 - 3.2		20.0	19.4	15.0	12.6	0.60	20.5	10.4		GDAAM0814032
3.3 - 4.7		20.0	19.4	16.5	12.6	0.60	20.5	10.4		GDAAM0814047
4.8 - 6.2		20.0	19.4	18.0	12.6	0.60	20.5	10.4		GDAAM0814062

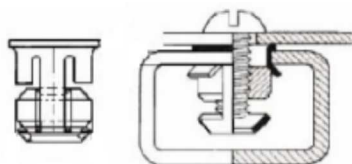
Ø	Zakres łączenia	A	B	C	D	E	F	G	Otwór montażowy	Numer katalogowy
		+ 0.6 - 0.0	± 0.5	± 0.3	± 0.2		± 0.3	± 0.1		
<b>M10</b>	1.0 - 1.7	16.6	16.4	9.7	8.5	0.5	16.6	7.2	12.3 × 12.3	GDAAM1012317
	1.8 - 3.2	16.6	16.4	11.4	8.5	0.5	16.6	7.2		GDAAM1012332
	3.3 - 4.7	16.6	16.4	12.8	8.5	0.5	16.6	7.2		GDAAM1012347
	4.8 - 6.2	16.6	16.4	14.0	8.5	0.5	16.6	7.2		GDAAM1012362
	1.0 - 1.7	20.0	19.4	13.5	12.6	0.6	20.5	10.4	14.0 × 14.0	GDAAM1014017
	1.8 - 3.2	20.0	19.4	15.0	12.6	0.6	20.5	10.4		GDAAM1014032
	3.3 - 4.7	20.0	19.4	16.5	12.6	0.6	20.5	10.4		GDAAM1014047
	4.8 - 6.2	20.0	19.4	18.0	12.6	0.6	20.5	10.4		GDAAM1014062
<b>M12</b>	1.0 - 1.7	20.0	19.4	13.5	12.6	0.6	20.5	10.4	14.0 × 14.0	GDAAM1214017
	1.8 - 3.2	20.0	19.4	15.0	12.6	0.6	20.5	10.4		GDAAM1214032
	3.3 - 4.7	20.0	19.4	16.5	12.6	0.6	20.5	10.4		GDAAM1214047
	4.8 - 6.2	20.0	19.4	18.0	12.6	0.6	20.5	10.4		GDAAM1214062

Posiadamy w ofercie nakrętki klatkowe o niestandardowych wymiarach oraz kształcie.

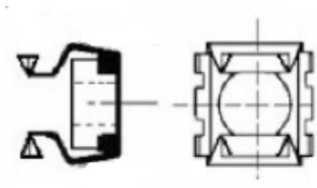
W ofercie także nakręki klatkowe o niestandardowych wymiarach oraz kształcie:



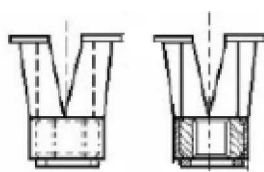
- nakręki klatkowe z łopatkami odchylającymi



- nakręki klatkowe do otworów okrągłych



- nakręki klatkowe z uziemieniem



- nakręki klatkowe izolowane w Nylonie

- oraz wiele więcej rodzajów.