

Genesis® nG2-S Hydro Pneumatic Split Tool

71401 series with quick release stem collector bottle

71404 series with fixed stem collector bottle

Features

- Split tool for breakstem rivets
- Lightweight placing head
- Remote intensifier
- Quick release nose assembly
- Quick release stem collector bottle (71401 series)
- Fixed stem collector bottle (71404 series)
- Vacuum air supply shut-off on trigger
- Enhanced tool life
- Soft touch rubber grip on handle

Benefits

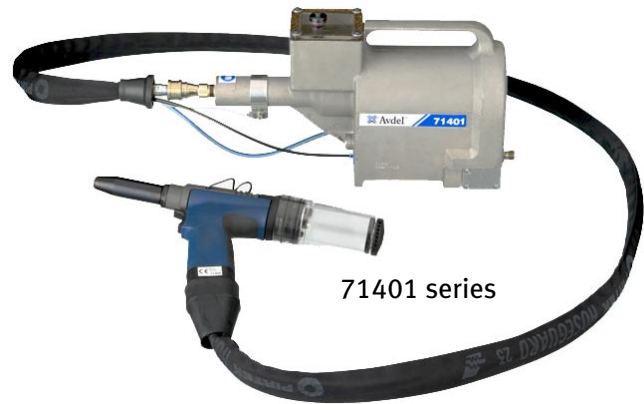
- Reduces operator fatigue
- High placement speed
- Robust tool
- Reduced setting times and change of equipment
- Minimized air consumption
- Reduced time to empty stem collector
- Places a wide range of fasteners
- Ergonomic

Specifications

Head weight (min. with equip.)	1.2 kg
Pull force @ 5.5 bar	10.88 kN
Stroke (min.)	17 mm
Cycle time (approx.)	1 sec
Air supply pressure	5- 7 bar
Free air volume @ 5.5 bar	3.6 litres
Noise level	<75 dB(A)
Vibration	<2.5m/s ²
Intensifier ratio	44:1

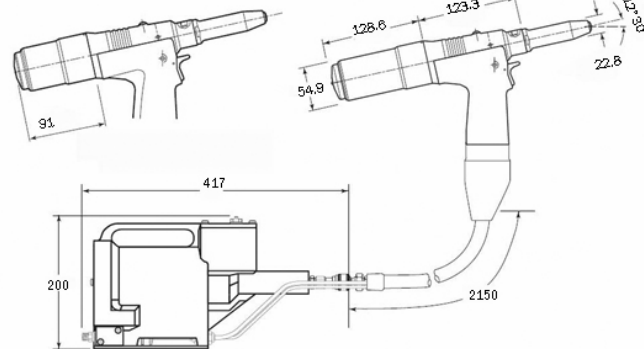
Placing capability

Up to 4.8mm (3/16") breakstem rivets.
Can also place Avseal® II sealing plug up to 7 mm.
For detailed information on placing capability and nose equipment please refer to the tool manual on our website www.avdel-global.com or contact your local Avdel representative.

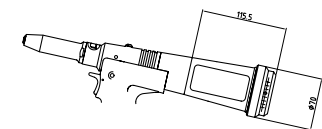


Dimensions (mm)

Scrap view showing bottle stem collector short version



Quick release stem collector bottle option (71401 series)



Fixed stem collector bottle option (71404 series)